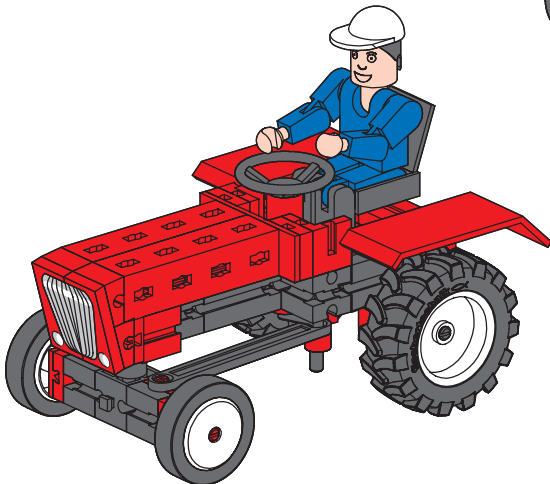
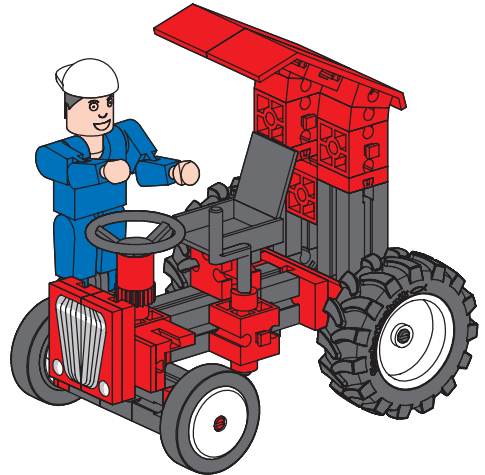
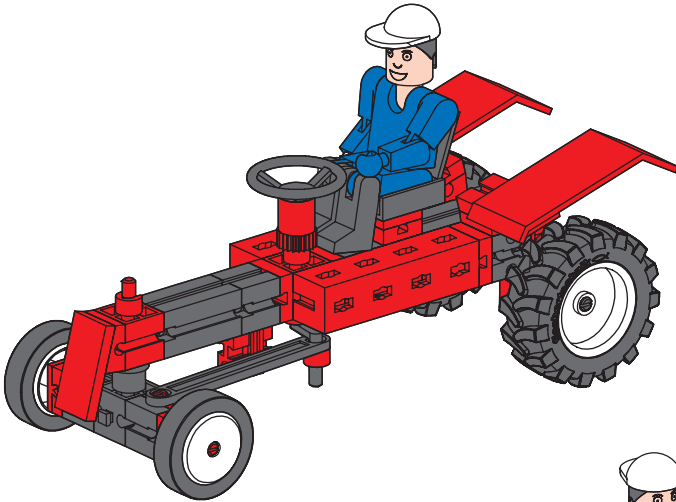


TRACTORS

fischertechnik 

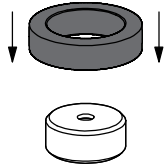
BASIC



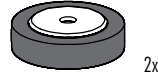
	31 124 2 x		32 853 1 x		37 468 2 x
	31 690 1 x		32 879 3 x		37 636 1 x
	31 766 1 x		32 881 5 x		37 679 4 x
	31 848 1 x		34 994 2 x		38 240 2 x
	31 850 1 x		34 995 2 x		38 277 2 x
	31 915 1 x		35 019 1 x		38 428 1 x
	31 916 1 x		35 049 3 x		38 447 1 x
 15°	31 981 4 x		35 050 2 x		78 237 1 x
	31 982 2 x	 80	35 405 1 x		78 727 2 x
	32 064 5 x	 63,6	36 370 1 x		78 728 2 x
	32 321 1 x		37 237 9 x		78 762 1 x
	32 330 3 x				106 767 2 x

- Alle Einzelteile, insbesondere bewegliche Teile sind falls notwendig zu warten und zu reinigen.
- All components, especially moving parts, should be maintained and cleaned as necessary.
- Toutes les pièces détachées et en particulier les pièces mobiles, sont, si nécessaire, à entretenir et à nettoyer.
- Alle onderdelen, vooral de bewegende delen, kunnen, indien noodzakelijk, onderhouden en gereinigd worden.
- Es necesario limpiar y mantener en buen estado todas las diferentes piezas - especialmente las piezas móviles.
- Caso necessário, todas as peças individuais, especialmente peças móveis, tem que ser submetidas à manutenção e ser limpidas.
- Se necessario, tutti i singoli componenti, soprattutto le parti mobili, si devono eventualmente sottoporre a manutenzione e pulizia.
- Все детали, особенно подвижные, требуют ухода и чистки.
- 必要时应保养和清洁所有零件，尤指运动部件。

1

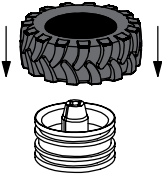


2



- Bei der Reifenmontage Profielrichtung links und rechts beachten!
- When mounting the tyres, please pay attention to the direction of the tread, left and right.
- Pour le montage des pneus, faire attention à la direction gauche et droite du profil.
- Let bij de bandenmontage op de profielrichting links en rechts.
- Al montar los neumáticos, tener en cuenta la dirección del perfil izquierdo y derecho.
- Ao proceder a montagem de pneus, levar em conta a direcção de perfil à esquerda e à direita.
- Al momento del montaggio delle gomme si deve osservare la direzione del profilo (a sinistra e destra)!
- При монтаже шин обратите внимание на правое и левое направление профиля!
- 装配轮胎时应注意左右轮胎沟纹的方向！

1



links
left
gauche
links
izquierda
à esquerda
sinistra
левое
左

1

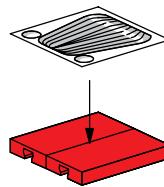
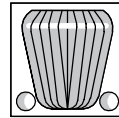
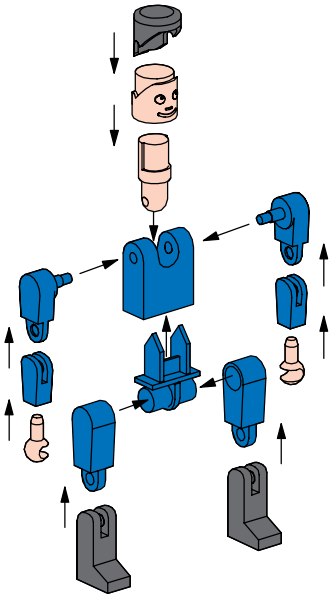


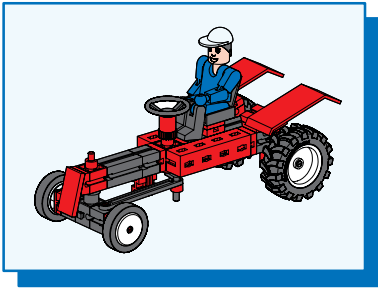
rechts
right
droite
rechts
derecha
à direita
destra
правое
右

2



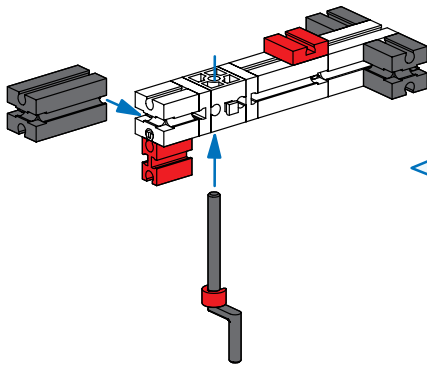
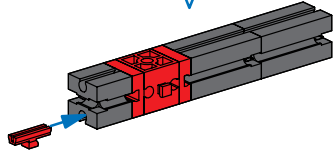
2





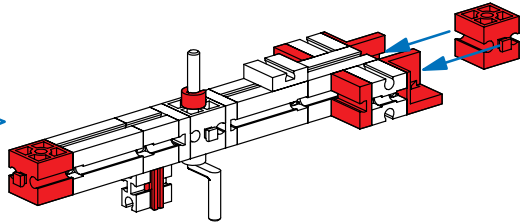
1

2x 1x 1x 1x
2x 1x



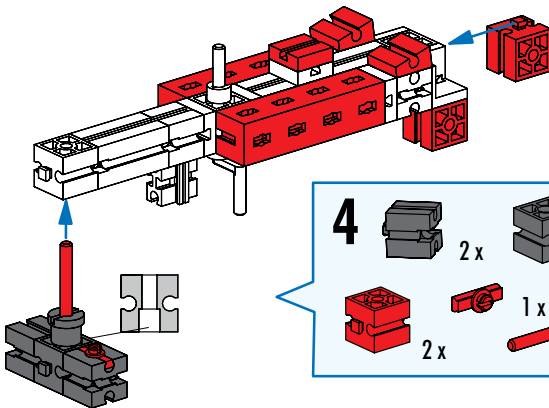
2

1x 2x 1x
1x 1x 1x



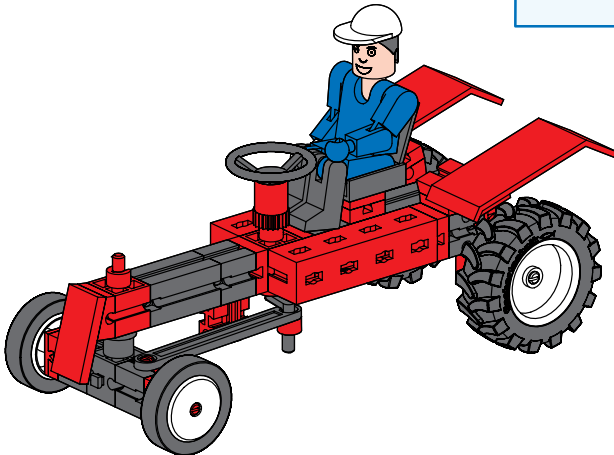
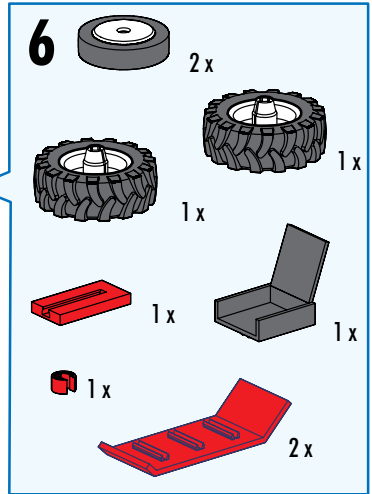
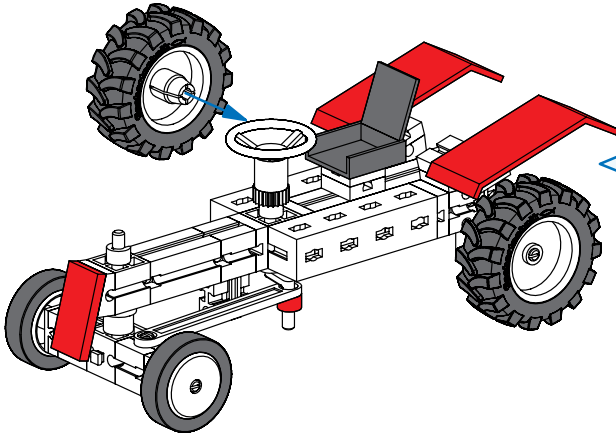
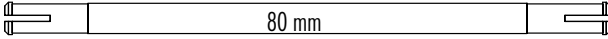
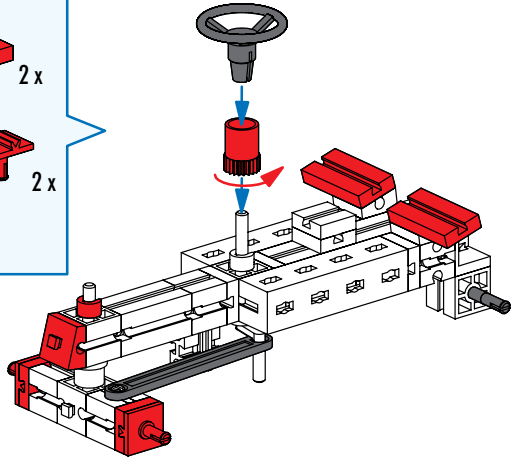
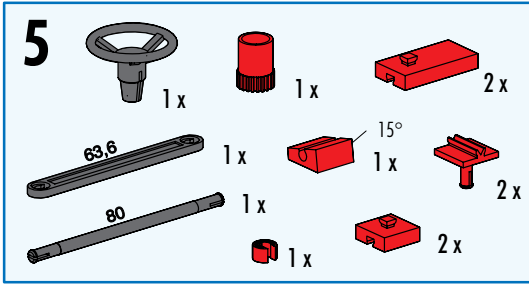
3

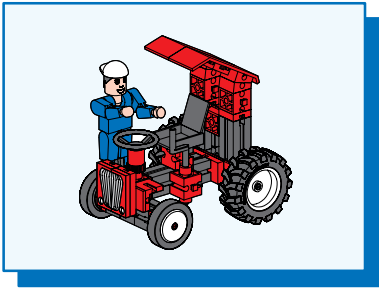
2x 1x 1x
2x 2x



4

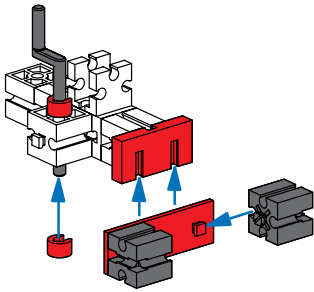
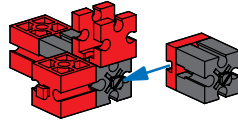
2x 1x 1x 2x
2x 1x 1x 1x 15° 2x





1

- 1x Grey 1x3 Technic Beam
- 1x Grey 1x2 Technic Beam
- 2x Red 1x2 Technic Beam
- 1x Red 1x2 Technic Beam with Pin
- 1x Red 1x2 Technic Beam with Pin and Hole

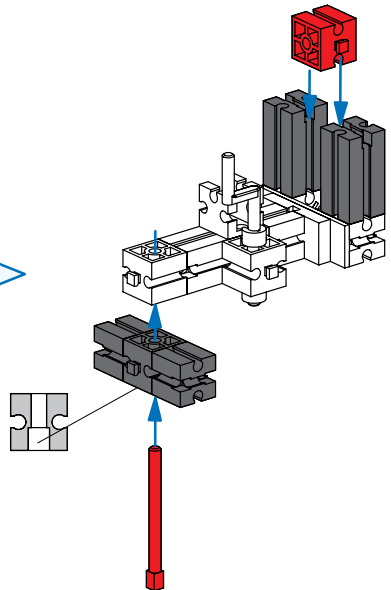


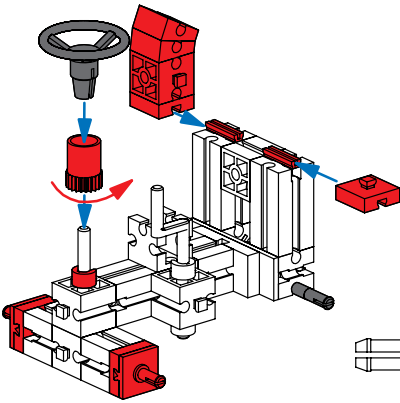
2

- 2x Grey 1x2 Technic Beam
- 1x Red 1x2 Technic Beam with Pin
- 1x Grey L-shaped Technic Beam
- 2x Red 1x2 Technic Beam with Pin
- 1x Red 1x2 Technic Beam with Pin and Hole

3

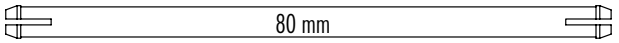
- 2x Grey 1x3 Technic Beam
- 2x Grey 1x2 Technic Beam
- 1x Red 1x2 Technic Beam with Pin
- 1x Red 1x2 Technic Beam with Pin and Hole
- 1x Red 1x2 Technic Beam with Pin
- 1x Grey 1x2 Technic Beam with Pin





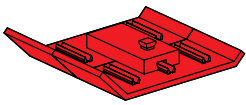
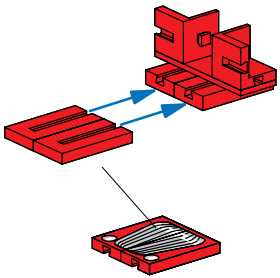
4

- 1 x [Red 2x3 Technic Brick with Hole]
- 2 x [Red Technic Pin with Friction Ridge]
- 2 x [Red Technic Pin with Friction Ridge]
- 1 x [Grey Steering Wheel]
- 1 x [Red Technic Pin with Friction Ridge]
- 1 x [Red Technic Pin with Friction Ridge]
- 2 x [Red Technic Brick with Hole, 15°]
- 1 x [Red Technic Bush]
- 4 x [Red Technic Pin with Friction Ridge]
- 1 x [Grey Axle, 80 mm]



5

- 2 x [Red Technic Brick with Hole]
- 1 x [Red Technic Pin with Friction Ridge]
- 2 x [Red Technic Pin with Friction Ridge]
- 1 x [Red Technic Plate with Grooves]



6

- 2 x [Red Technic Plate with Grooves]
- 1 x [Red Technic Brick with Hole]

7



1x



1x



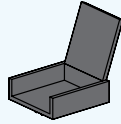
2x



1x

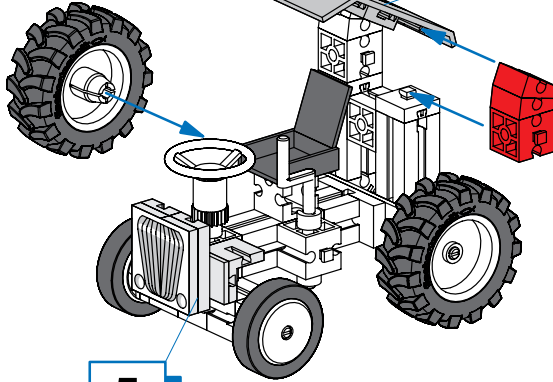


15°
2x

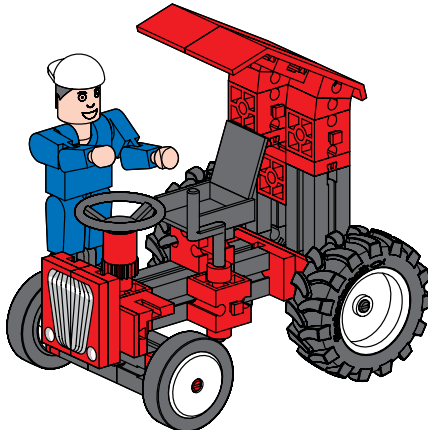


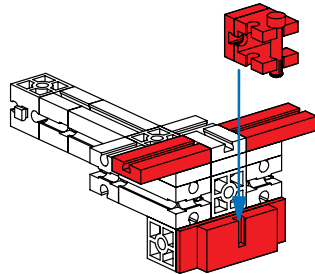
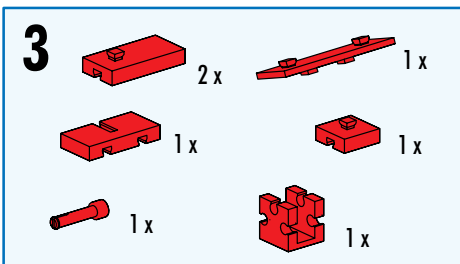
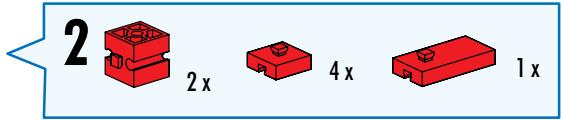
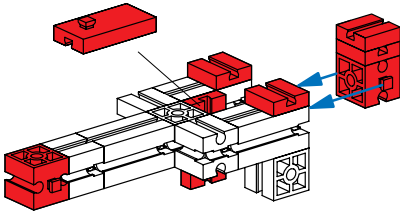
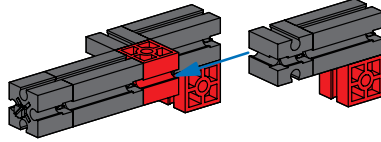
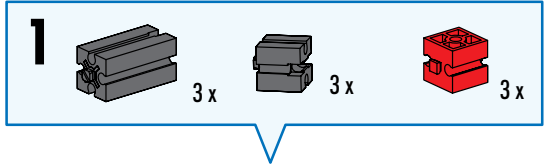
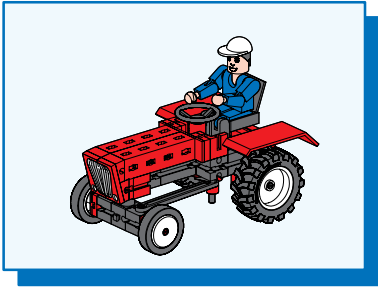
1x

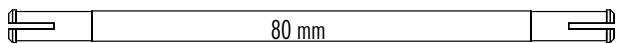
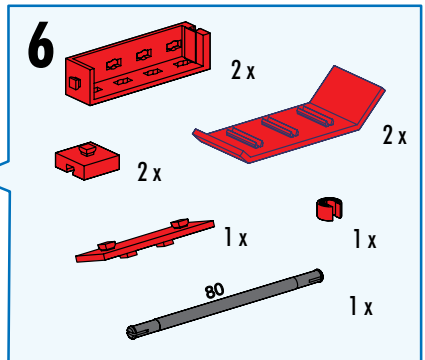
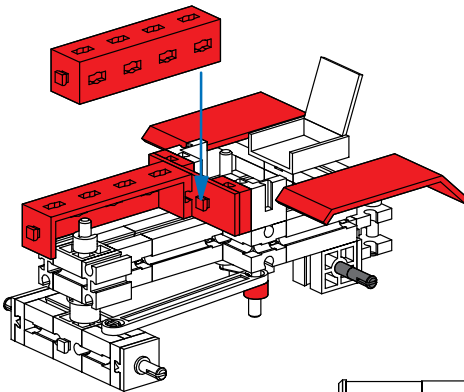
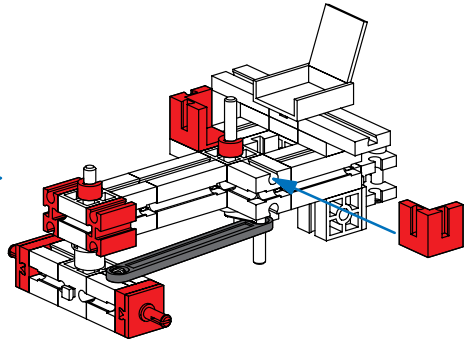
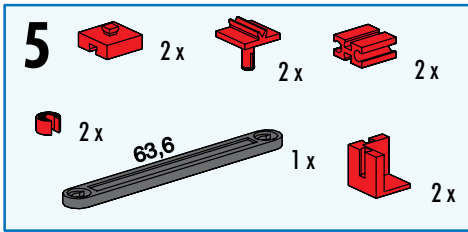
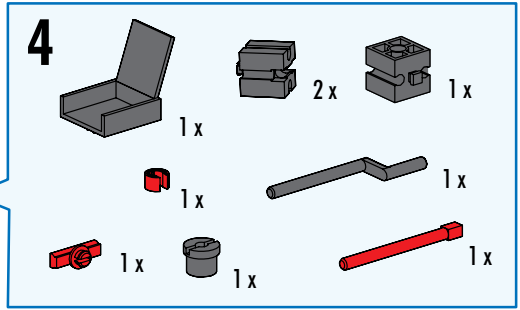
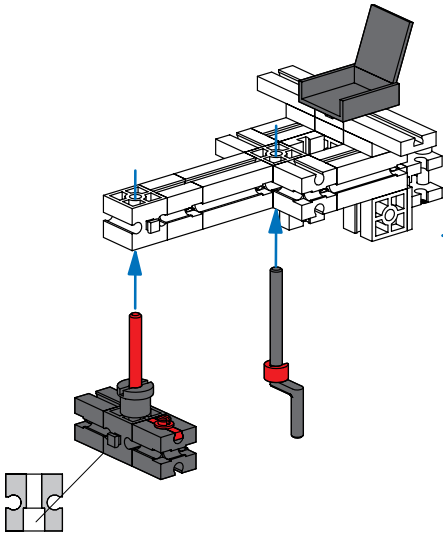
6

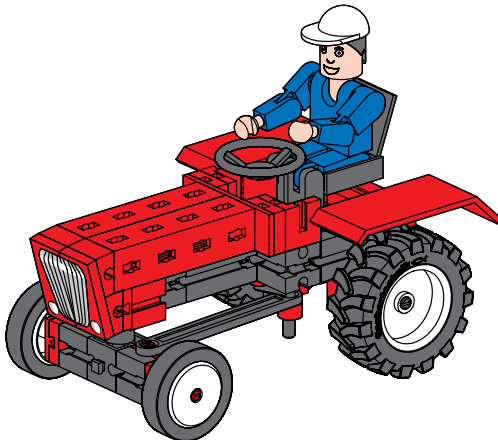
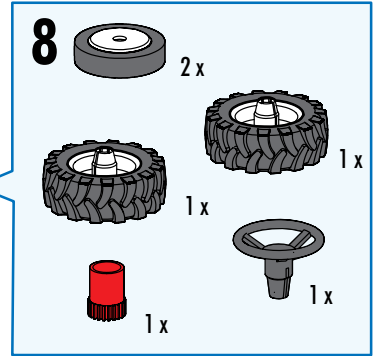
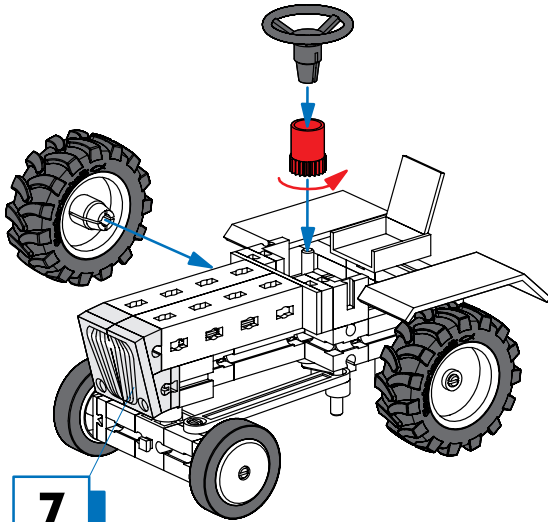
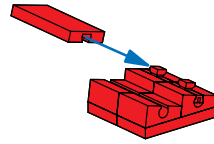
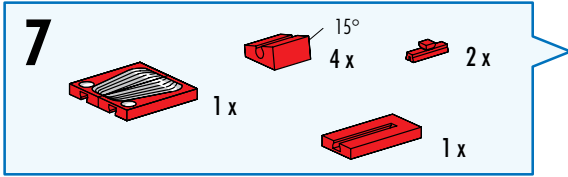


5









fischertechnik GmbH
Weinhalde 14-18
72178 Waldachtal
Germany

Phone +49 74 43/12-43 69
Fax +49 74 43/12-45 91
info@fischertechnik.de
www.fischertechnik.de

fischertechnik 

BASIC

